

TRIM RINGS

TR1256 & TR78 Series

GENERAL SPECIFICATIONS

Function: Covers irregular shaped holes and chipped laminate around hole edges

Base material: Brass

TR1256

Fits: 7/8" barrel diameter cabinet locks

Drilled hole size: 15/16"

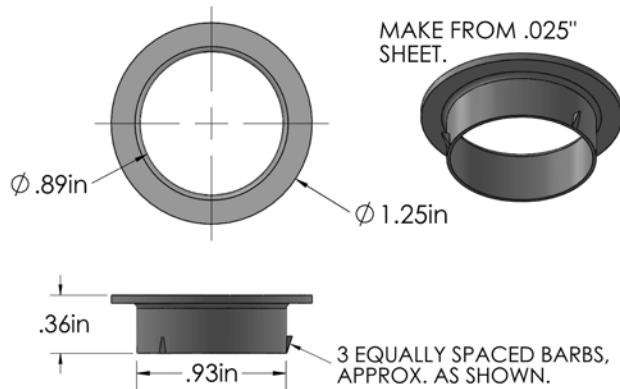
Material: Brass

TR1256 Finish: US26D (satin chrome), US4 (satin brass), US10B (oil rubbed bronze), US19 (flat black)

Use with: 100, 200, N078, 999, 998, 500, 600, R078, 997, 996, L20V



Use of **TR1256** requires 15/16" diameter hole.



TR78

Fits: 1-1/8" diameter cabinet locks

Drilled hole size: 1-3/16"

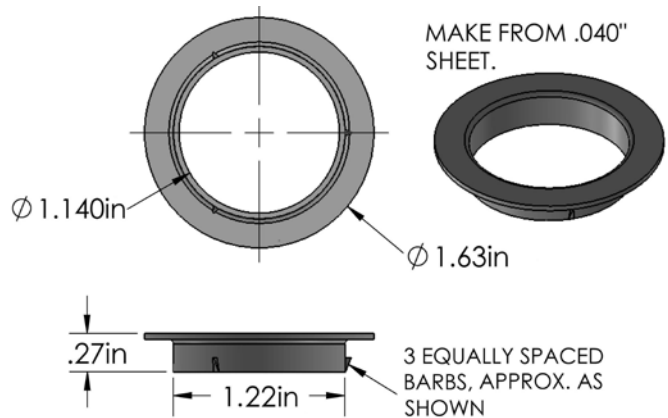
Material: Brass

TR78 Finish: US26D (satin chrome), US3 (polished brass), US10B (oil rubbed bronze), US19 (flat black)

Use with: 700, 800, 850, 950, 721, 725, 754, 854, 777, 888, 931, L72, L78, L92



Use of **TR78** requires 1-3/16" diameter hole.



WARNING: This product can expose you to chemicals including chromium, which is known to the State of California to cause cancer and birth defects or other reproductive harm. For more information go to www.P65Warnings.ca.gov.



**OLYMPUS[®]
LOCK_{INC}**