

L72V

SFIC: Drawer Latch Lock



For BEST style interchangeable core cylinders



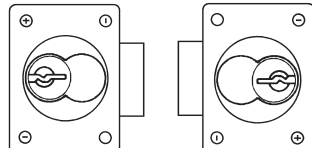
Available Finishes



US26D



US3

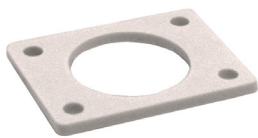


Left-Hand Door

Right-Hand Door

For door applications, place lock on side.

Included Accessories



10-350 internal spacers
For a flush fit on varying material thicknesses



L78ST-1-SS matching lip strike

SPECIFICATIONS

Function: Spring latch (Drawer)

Body: Zinc die cast

Cylinder Length: 1-1/4"

Barrel Diameter: 1-1/8"

Latch Projection: 3/8"

Finish: US26D or US3

Packaged: Packed 10 per box

Cylinder Information

Cores: Not included

Accepts: Best, Arrow, Falcon, KSP, Schlage SFIC or equivalent small format interchangeable cores

Compatible Electronic Cylinders: Medeco Nexgen XT or VIDEX CyberLock SFIC cylinders

Included Accessories

10-350 spacers (qty 3)

L78ST-1-SS matching lip strike

725-1 spacer to fit 6 or 7 pin cores

725-PA plastic thumbturn

Optional Accessories

Prong Drivers: Shortened prong driver for use with Sargent XC or Marks high security cores with side pins. Specify L72V-PD-SP1 (for prong driver only).

Spacers: 10-350 (1/8" thick), 10-348 (1/4" thick), 10-349 (1/2" thick)

Trim Ring: TR78

Through-Bolt Hardware: ETS1 trim plate, ETS1-PL trim pull and ETST1 template

SFIC Cores: 206/207 Series

WARNING: This product can expose you to chemicals including chromium, which is known to the State of California to cause cancer and birth defects or other reproductive harm. For more information go to www.P65Warnings.ca.gov.

206-363-3290 | 800-525-0954

www.olympuslock.com

© 2025 Olympus Lock, Inc.



**OLYMPUS[®]
LOCK^{INC.}**



L72V

SFIC: Drawer Latch Lock

PRODUCT DATA SHEET

Optional Accessories

See our website for a complete list of optional components.

Internal Plastic Spacers

- WP20 3/16" thick plastic spacer
- WP21 3/32" thick plastic spacer
- WP22 1/4" thick plastic spacer
- WP23 1/2" thick plastic spacer

Strikes

- 07S, 12-1, 12-2, 12-3, 12-4, 12-5, 56-1

Trim Ring

- TR1256 trim ring

206/207 Series

- 206 Series 6-pin SFIC cylinder
- 207 Series 7-pin SFIC cylinder



BEST compatible interchangeable core cylinders



Available Keyways

A	B	C	D	E	F	G	H	
J	K	L	M	Q	1C	1D	KMT300	

Through-Bolt Plate

External metal 1/8" or 1/4" through-bolt plate allows for an attractive flush mounting of the cabinet lock face. Available in US3 or US26D finish.

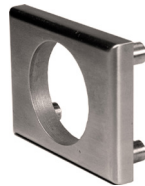
- ETS1-125 through-bolt plate, 1/8" thick
- ETS1-250 through-bolt plate, 1/4" thick

Through-Bolt Plate Template

Allows for proper mounting hole placement of through-bolt plate. Can be used as a 1/8" shim spacer. Available in US3 and US26D finish.

- ETST1 through-bolt plate template

ETS1
Through-bolt plate

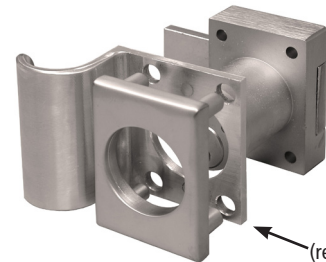


ETST1
Through-bolt plate template



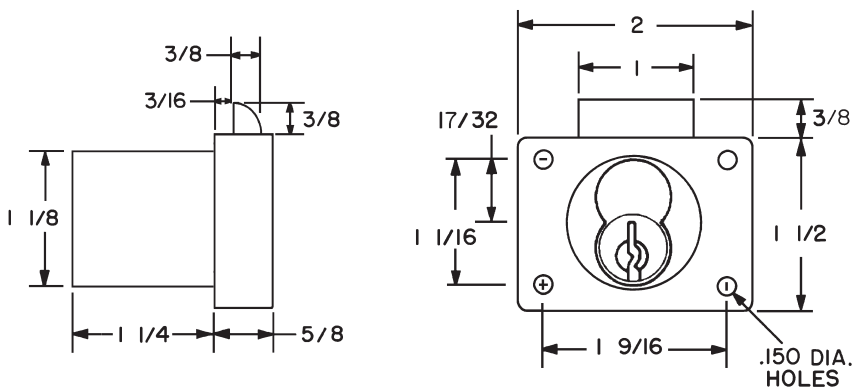
U.S. Patent No. D490,686

ETS1-PL
Through-bolt pull

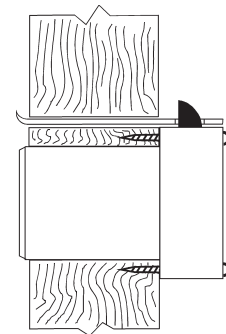


ETS1-PL
(requires use of ETS1)

Dimensions



Typical Installation



L72V - side view