

CASCADE SERIES

Disc Tumbler Cam Locks 953, 954, 955, 960 & 961



SPECIFICATIONS

Keying: Will key together with CompX/National C8053 style disc tumbler locks

Assembly: Ships with body and cylinder assembled for fast and easy installation

ANSI/BHMA: Passed ANSI/BHMA Grade 2 cycle test: 20,000 cycles, including key insertion and removal [E07262]

US Patents: 11,959,316, D1016604

Body: Zinc die cast

Cylinder: Zinc die cast, 5 disc tumbler

Standard function: Key removable in locked or unlocked position.

Cams: Ships with one straight and one offset cam

Spur Washer: Ships with anti-rotation, eyelet spur washer (which can be locked into place for a more secure mounting)

Finish: 14A (bright nickel) or US19 (matte black)

Packaged: Packed 15 per box, 120 per case

KEYING INFORMATION

Keyway: Cascade Series (equivalent to National 5-disc system)

Keys: Includes 2 keys per lock

Stock keying: KD (120 KD codes), MKKD (120 MKKD codes)

Stock KA#: C346A, C390A, C413A, C415A, C420A, C452A

Custom keying: MKKA or combination of MKKA/MKKD* to schedule (*NOTE: there are a maximum of 380 MKKD codes if custom keyed. If you require more key codes, see our DCN series pin-tumbler products.)

Keyblanks:

KB-D85-C-NP Key blank (for NON-MK locks)

KB-D83-D-NP Key blank (for MK locks)

INCLUDED ACCESSORIES

Keys - 2 change keys per lock

P95-CM-1 - 1-1/2" straight cam

P95-CM-2 - 1-1/8" long with 11/32" offset cam

P95-SPW - eyelet spur washer *Patent Pending*

P95-FN-Z - fixing nut

P95-TR - trim ring

P95-CS - cam screw with star washer

P95-RS - retainer staple

P9***-EXT - plug extender (if required)

OPTIONAL ACCESSORIES

P95-CM-3 - 3" straight cam

P95-CM-4 - 1-5/8" x 5/16" offset cam

P95-CM-5 - 1-1/2" straight hook cam

P95-CM-6 - 1" straight cam

Keyblanks - KB-D83/KB-D85

Keying Kit - D1

Passed ANSI/BHMA
A156.11 Grade 2
cycle test

US Patent Nos.:
11,959,316,
D1016604



KEYING OPTIONS

- KA key codes: C346A, C390A, C413A, C415A, C420A, C452A
- KD (120 KD codes), MKKD (120 MKKD codes)
- Custom Keying (MKKA or combination of MKKA/MKKD to schedule)
- 380 total MKKD codes available if custom keyed

Item	Finish	Cylinder Length	Maximum Material Thickness	Inner Box Quantity	Case Quantity
954	14A, US19	15/16"	5/8"	15/box	120/case
953	14A, US19	1-3/16"	7/8"	15/box	120/case
955	14A, US19	1-7/16"	1-1/8"	15/box	120/case
960	14A, US19	1-3/4"	1-7/16"	15/box	120/case
961	14A, US19	2"	1-13/16"	15/box	120/case

WARNING: This product can expose you to chemicals including chromium, which is known to the State of California to cause cancer and birth defects or other reproductive harm. For more information go to www.P65Warnings.ca.gov.

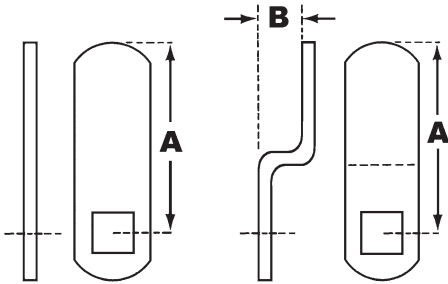


CASCADE SERIES

Disc Tumbler Cam Locks 953, 954, 955, 960 & 961

OPTIONAL ACCESSORIES

Optional Cams Note: Offset cams are reversible and can be used in either the inbent or outbent position.



Straight Cams

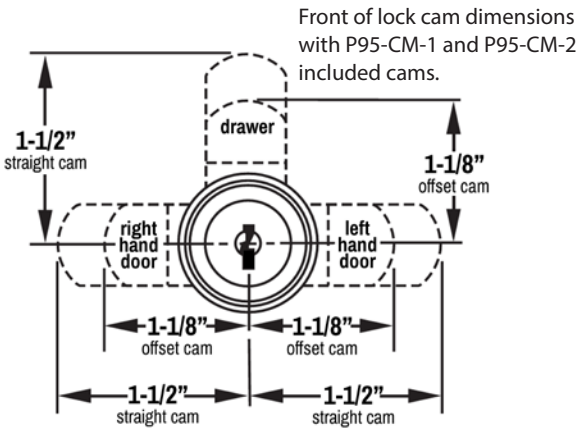
Part No.	Dim. A [length]	Description
P95-CM-1 **	1-1/2"	Straight cam
P95-CM-3	3"	Straight cam
P95-CM-5	1-1/2"	Straight hook cam
P95-CM-6	1"	Straight cam

Offset Cams

Part No.	Dim. A [length]	Dim. B [offset]	Description
P95-CM-2 **	1-1/8"	11/32"	Offset cam
P95-CM-4	1-5/8"	5/16"	Offset cam

** P95-CM-1 and P95-CM-2 are included standard with each disc tumbler cam lock. All other cams are available separately.

Cut Keys & Key Blanks



Dimensional offset of 1-1/8" cam is 11/32"

Item	Description
KB-D85-C-NP	Key blank (for NON-MK locks)
KB-D85-C-CUST	Custom cut change key (for NON-MK locks)
KB-D83-D-NP	Key blank (for MK locks)
KB-D83-D-CUST	Custom cut change key (for MK locks)
KB-D84-E-MK	Cut master key E41A (for MK locks)
KB-D85-C346A	Cut key for stock KA #C346A
KB-D85-C390A	Cut key for stock KA #C390A
KB-D85-C413A	Cut key for stock KA #C413A
KB-D85-C415A	Cut key for stock KA #C415A
KB-D85-C420A	Cut key for stock KA #C420A
KB-D85-C452A	Cut key for stock KA #C452A



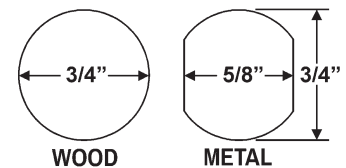
DCNP-300-FP
(finger pull)

Item	Description
D1	DISC Keying Kit (KA/KD/MK)

DIMENSIONS | TYPICAL INSTALLATION



Cylinder Mounting Holes



Eyelet spur washer to be used in wood applications only.

