

## 9501C

### SFIC: Deadlatching Drawer Lock



For BEST style  
interchangeable  
core cylinders

### SPECIFICATIONS

**Function:** Deadlocking latch

**U.S. Patent No:** 4,899,563; 4,922,774; 5,657,652

**Body:** Zinc die cast

**Cylinder length:** 1-1/8"

**Barrel diameter:** 1-1/8"

**Latch projection:** 1/4"

**Finish:** 26D

**Packaged:** Packed 10 per box

### KEYING INFORMATION

**Cores:** Not included.

**Accepts:** Best, Arrow, Falcon, KSP, Schlage SFIC or equivalent small format interchangeable cores

**Compatible electronic cylinders:** Medeco Nexgen XT or VIDEX CyberLock SFIC cylinders

### INCLUDED ACCESSORIES

10-350 spacers (qty 2)

725-1 spacer to fit 6 or 7 pin cores

850-210 matching strike

725-PA plastic thumbturn

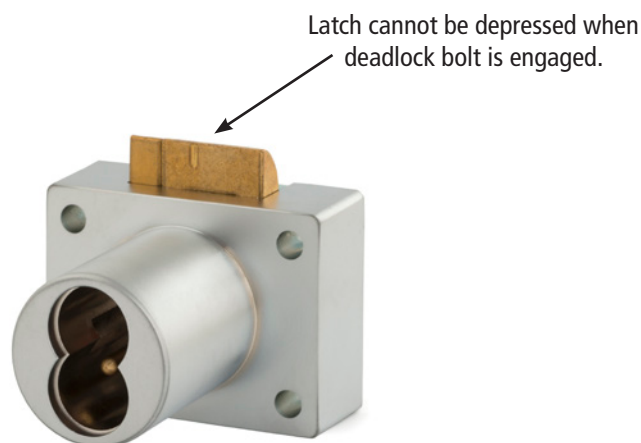
### OPTIONAL ACCESSORIES

**Spacers:** 10-350 (1/8" thick), 10-348 (1/4" thick), 10-349 (1/2" thick)

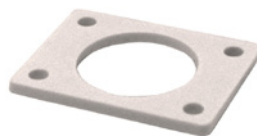
**Trim ring:** TR78

**Through-bolt hardware:** ETS1 through-bolt plate, ETS1-PL trim pull and ETST1 template

**SFIC cores:** 206/207 Series



### INCLUDED ACCESSORIES



**10-350 internal spacers**  
For a flush fit on varying material thicknesses



**850-210 / 850-211 lip strike**



**WARNING:** This product can expose you to chemicals including chromium, which is known to the State of California to cause cancer and birth defects or other reproductive harm. For more information go to [www.P65Warnings.ca.gov](http://www.P65Warnings.ca.gov).



**OLYMPUS<sup>®</sup>**  
**LOCK**  
INC

# 950IC

## SFIC: Deadlatching Drawer Lock

### OPTIONAL ACCESSORIES

#### Internal Plastic Spacers

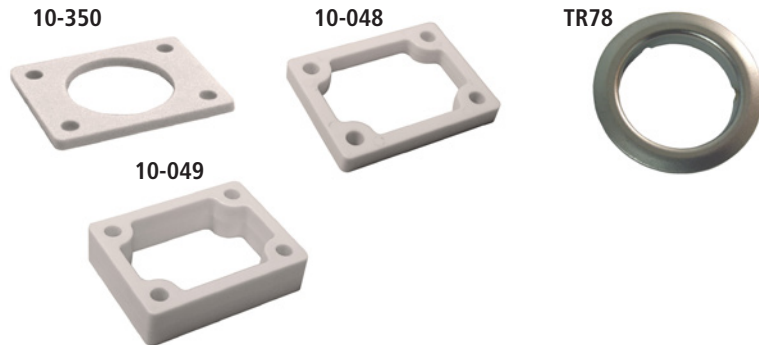
- 10-350 1/8" thick plastic spacers
- 10-348 1/4" thick plastic spacers
- 10-349 1/2" thick plastic spacers

#### Strikes

- Plastic bar strikes: 10-054, 10-055, 10-057, 10-058.
- Metal strikes: 10-056 12-1, 12-2, 12-3, 12-4, 999-STRIKE, L78ST-1, L78ST-2

#### Trim Ring

- TR78 trim ring



#### Through-Bolt Mounting Plate

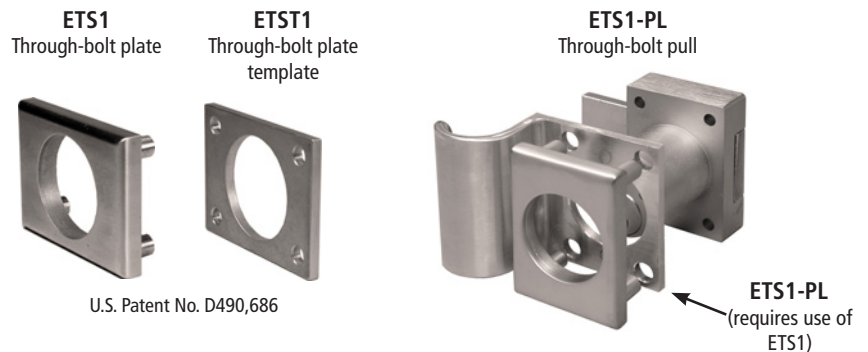
External metal 1/8" or 1/4" through-bolt plate allows for secure and attractive flush mounting of the cabinet lock face. Available in US3 or US26D finish.

- ETS1-125 through-bolt plate, 1/8" thick
- ETS1-250 through-bolt plate, 1/4" thick

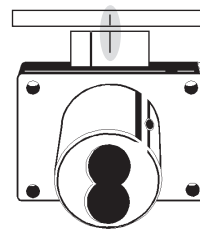
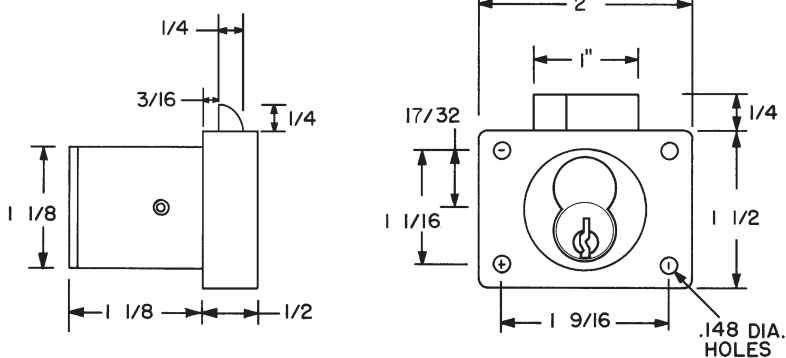
#### Through-Bolt Mounting Plate Template

Allows for proper mounting hole placement of through-bolt plate. Can be used as a 1/8" shim spacer. Available in US3 and US26D finish.

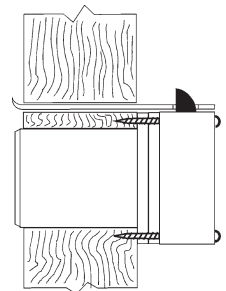
- ETST2 through-bolt plate template



### DIMENSIONS | TYPICAL INSTALLATION



**Note:** Line up center mark on latch with center mark on strike for correct strike placement.



**Note:** Strike must be lined up so that dead lock portion of latch is depressed when drawer is closed.