

7850R

Combi-Cam Series: 3-Dial Round Combination Cam Lock

SPECIFICATIONS

Keyless/Combination: 3-dial combination cam lock provides for up to 1,000 possible combinations.
Resettable: To change the combination, simply have it on the opening combination, depress the change pin, and change to the new combination.
Cam rotation: 90° stop cam placement allows cam to rotate (swing) to the right or left as you face the lock.
Body: Zinc, steel
Cylinder length: 5/8", 7/8", 1-1/8" or 1-3/8"
Barrel diameter: 3/4"
Finish: Chrome or black
Packaged: 20 per box / 100 per case

INCLUDED ACCESSORIES

Pronged wood washer, fixing nut, 90° stop cam, cam screw and lock washer, and three cams (3/4" straight cam, 1-1/2" straight cam, 1-1/2" x 1/4" reversible offset cam).

OPTIONAL ACCESSORIES

Dust cover: #7850-DC - Conceal and protect dials from water, dust, etc.
Finger pull: #7850-FP - For use as cabinet handle. Mounts between Combi-Cam and cabinet surface.
7850 Cams: Offset optional cams



INCLUDED ACCESSORIES

Pronged wood washer, fixing nut, 90° stop cam (not shown), cam screw and lock washer, and three cams (3/4" straight cam, 1-1/2" straight cam, 1-1/2" x 1/4" reversible offset cam).

7850R

Function: Cabinet door or drawer cam lock
Locking: 3-dial combination
Barrel lengths: 5/8", 7/8", 1-1/8", 1-3/8"
Finish: Chrome or black



Chrome



Black

7850R Combi-Cam 3-Dial

Item	Finish	Cyl. Length	Fits Max. Material Thickness
7850R-S 7850R-S-BLACK	Chrome Black	5/8"	3/8"
7850R-M 7850R-M-BLACK	Chrome Black	7/8"	5/8"
7850R-L 7850R-L-BLACK	Chrome Black	1-1/8"	7/8"
7850R-XL	Chrome	1-3/8"	1-1/8"
Accessory Items (Sold Separately)			
7850-DC	Dust Cover		
7850-FP	Finger Pull		
7850-OC-1-1/2	7850-OC-1-1/2		
7850-OC-60MM	7850-OC-60MM		



WARNING: This product can expose you to chemicals including chromium, which is known to the State of California to cause cancer and birth defects or other reproductive harm. For more information go to www.P65Warnings.ca.gov.



OLYMPUS
LOCK
INC.

7850R

Combi-Cam Series: 3-Dial Round Combination Cam Lock

OPTIONAL ACCESSORIES

Dust Cover
Item #7850-DC

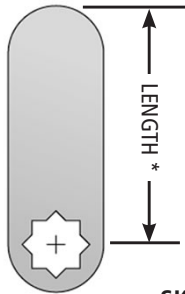


Finger Pull
Item #7850-FP



7850 SERIES — OPTIONAL OFFSET CAMS

Width: 3/4"
Thickness: 1/8"



1/2"



1/4"

Mounting Hole

Star Punched

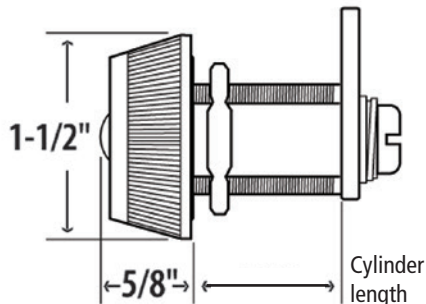


SKU: 7850-OC-1-1/2 7850-OC-60-MM

* LENGTH = The distance from the center of the mounting hole to the top of the cam.

SKU	Length *	Offset
7850-OC-1-1/2	1-1/2"	1/2"
7850-OC-60MM	2-1/3"	1/4"

DIMENSIONS



MOUNTING CUTOUT

