

# 7440

## Combi-Cam Ultra Series: 3-Dial Dual Access Combination Cam Lock

The Combi-Cam Ultra™ dual-access combination locker lock offers key override AND patented code discovery. Manager key overrides locks when codes are forgotten, an employee leaves, etc. Code discovery allows the code to be discovered so that the combination can be set to a new code.

### SPECIFICATIONS

**Keyless/Combination:** 3-dial combination cam/locker lock with key override and code retrieval capability offering convenient keyless access.  
**Resettable:** Set the combination in three easy steps. Up to 1,000 possible combinations.  
**Installation:** Can be installed vertically (door) or horizontally (drawer).  
**Barrel diameter:** 3/4"  
**Cylinder lengths:** 5/8", 7/8" or 1-1/8"  
**Body:** Heavy duty die cast metal construction  
**Cam:** Includes dual hole, 1-1/2" long straight cam for use in door or drawer applications.  
**Cam rotation:** 90° stop cam placement allows cam to rotate 90° to the left or right.  
**Finish:** Chrome (7440L also available in Black)  
**Packaged:** 20 per box / 100 per case

### KEYING INFORMATION

**Keyway:** High security, tubular keyway. The Override Key allows for override or retrieval of the current combination. One key controls all locks in the same key code group.  
**Keys:** Override keys are NOT included with locks. Order separately as required.  
**Override keying:** Keyed alike

### INCLUDED ACCESSORIES

Pronged wood washer, fixing nut, 90° stop cam, cam screw and lock washer, 1-1/2" dual hole, straight cam.

### OPTIONAL ACCESSORIES

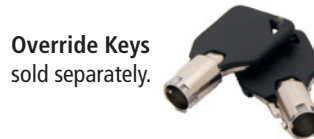
**7440-KEYS:** Override keys (set of 2). Specify key code when ordering.  
**100 Series Cams:** Straight and offset dual-hole cams (See page 2)

## 7440

**Function:** Cabinet door or drawer dual access combination lock  
**Locking:** 3-dial with key override  
**Barrel lengths:** 5/8", 7/8" or 1-1/8"  
**Finish:** Chrome or (Black 7440L only)



Chrome



Override Keys sold separately.

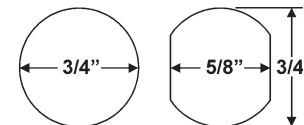


Black (7440L only)

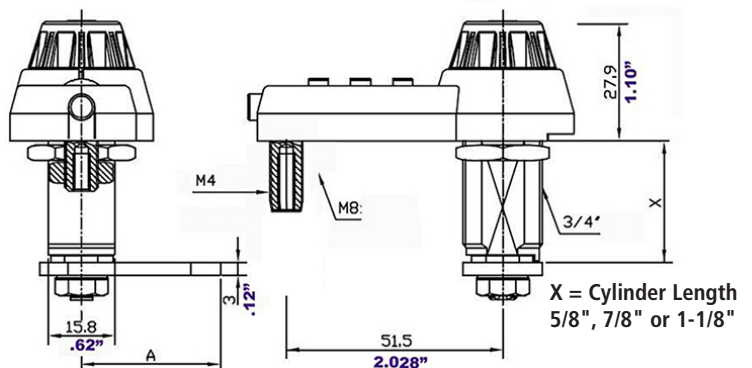
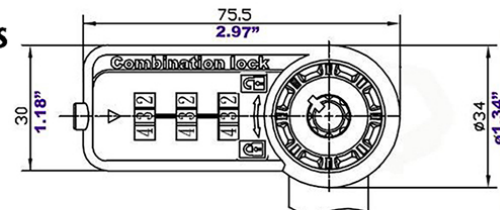
### Includes:

Pronged wood washer, fixing nut, 90° stop cam, cam screw and lock washer, and 1-1/2" dual hole, straight cam.

### MOUNTING CUTOUT



### Millimeters Inches



Item	Finish	Cyl. Length	Fits Max. Material Thickness	Override Key Code
7440S-KA374	Chrome	5/8"	3/8"	#374
7440M-KA179	Chrome	7/8"	5/8"	#374
7440L-KA-374	Chrome	1-1/8"	7/8"	#374
7440L-BLK-KA168	Black	1-1/8"	7/8"	#168
<b>Override Keys are NOT included with locks - Sold in sets of 2</b>				
7440-KEYS	Override keys KA #374 or #168			



**WARNING:** This product can expose you to chemicals including chromium, which is known to the State of California to cause cancer and birth defects or other reproductive harm. For more information go to [www.P65Warnings.ca.gov](http://www.P65Warnings.ca.gov).



**OLYMPUS  
LOCK** INC.

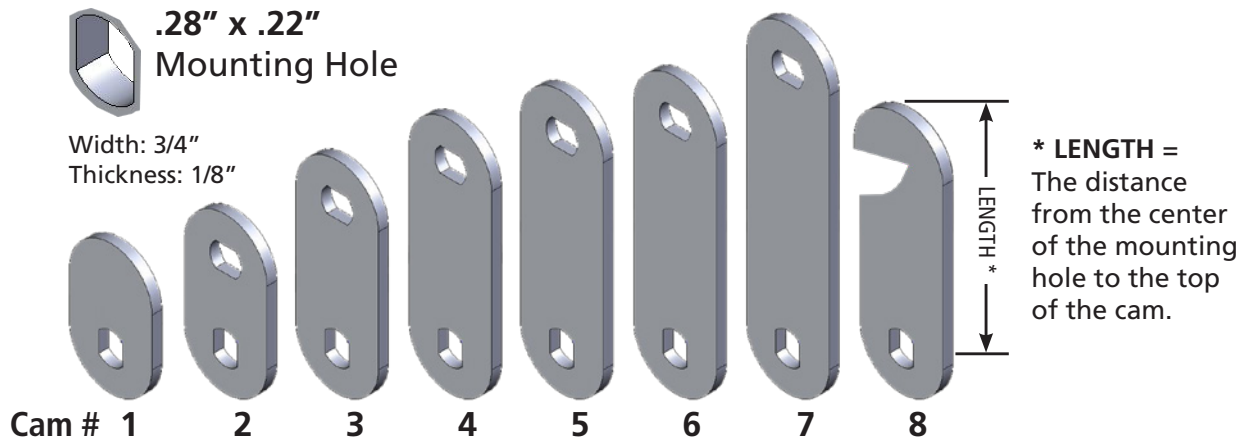
# 7440

## Combi-Cam Ultra Series: 3-Dial Dual Access Combination Cam Lock

### OPTIONAL CAMS

## 100 SERIES — STRAIGHT CAMS

For use with 7440 Combi-Cam Ultra



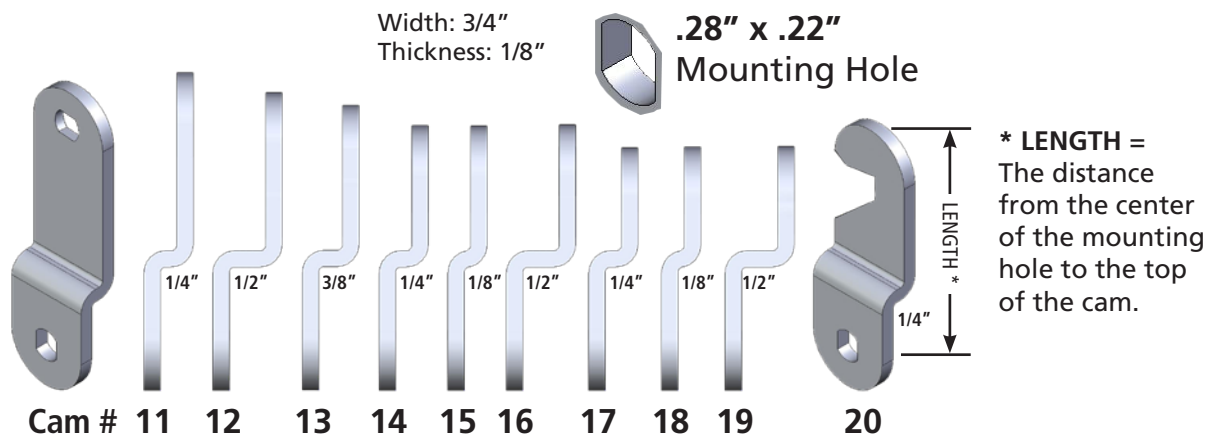
Cam #	SKU	Length *
1	130049	5/8"
2	130050D	3/4"
3	130031D	1-1/8"
4	130147D	1-1/4"

Cam #	SKU	Length *
5	130023D	1-1/2"
6	130058	1-5/8"
7	130056D**	2"
8	PL32001	1-1/4"

\*\* 130056D is available via special order. Requires minimum purchase of 20 pcs.

## 100 SERIES — OFFSET CAMS

For use with 7440 Combi-Cam Ultra



Cam #	SKU	Length *	Offset
11	30597D	2-1/4"	1/4"
12	30596D	2"	1/2"
13	30002D	1-5/8"	3/8"
14	30026D	1-1/2"	1/4"
15	30025D**	1-1/2"	1/8"

Cam #	SKU	Length *	Offset
16	30027D**	1-1/2"	1/2"
17	30594D	1-1/4"	1/4"
18	30593D**	1-1/4"	1/8"
19	30595D	1-1/4"	1/2"
20	PL39001	1-1/2"	1/4"

\*\* 30025D, 30027D, 30593D are available via special order. Requires minimum purchase of 20 pcs per item.