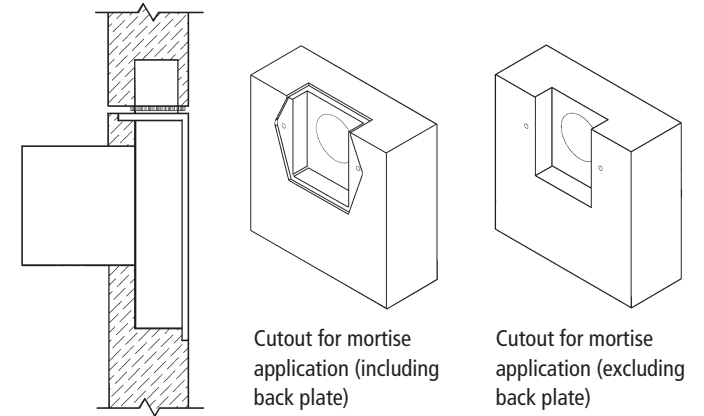


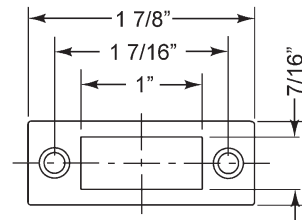
NOTE: Dimensions are the same for all handings.

Typical Installation



Included Accessories:

- 1 725-1 6-pin spacer
- 1 725-PA plastic thumbturn
- 1 725-SP-MD strike and screws (#5 x 5/8")
- 2 lock mounting screws (#8 x 5/8")



Included: 725-SP-MD
slotted rectangular strike

Handing Chart

