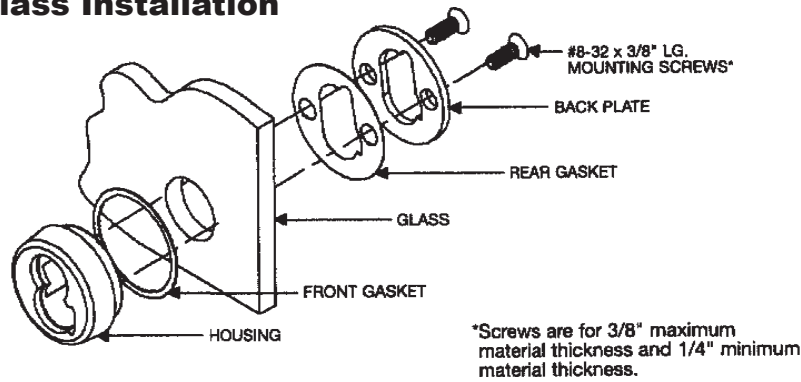
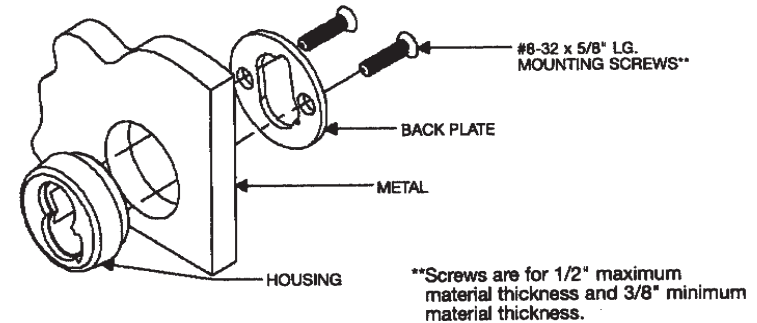


**Glass Installation**

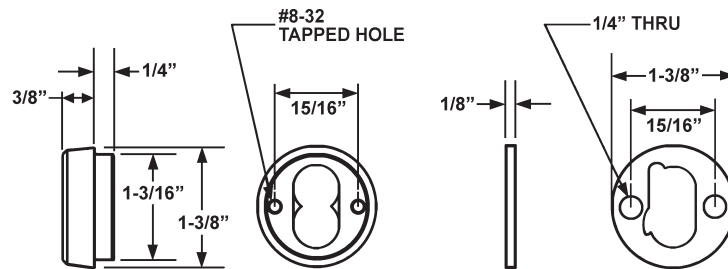


**Note:** Material thickness can be changed by using an "O" ring or changing the screw length.

**Metal Installation**



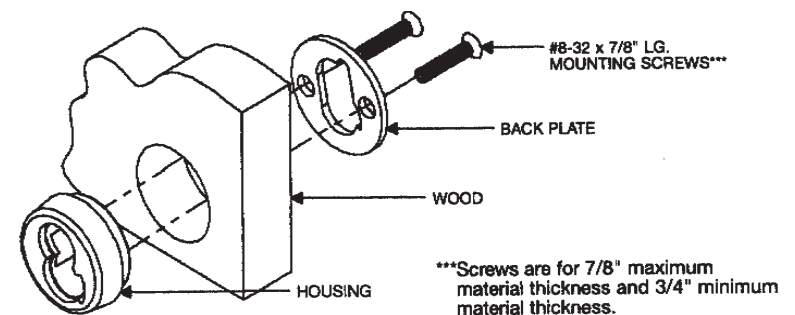
**Note:** Material thickness can be changed by using an "O" ring or changing the screw length.



**Included Accessories:**

Includes 3 sizes of screws (7/16", 3/4" and 1") to adapt lock for use on varying material thicknesses.

**Wood Installation**



**Note:** Material thickness can be changed by using an "O" ring or changing the screw length.