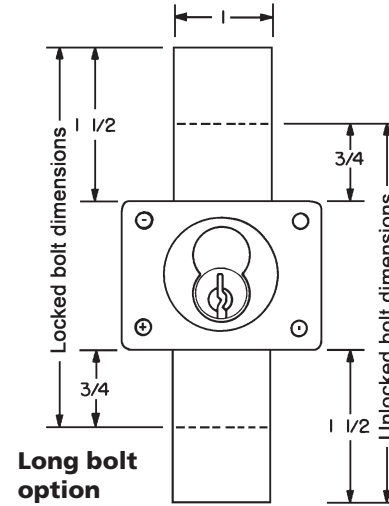
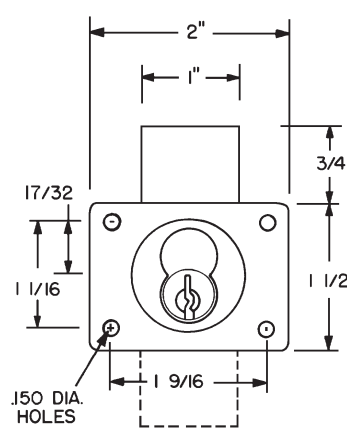
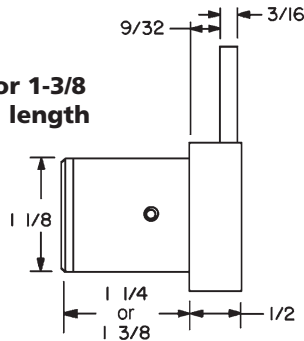


1-1/4 or 1-3/8 barrel length

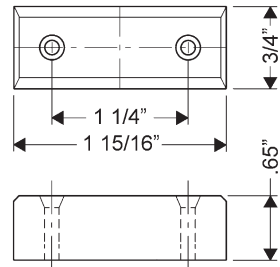


Included Accessories (1-1/8 barrel length locks):

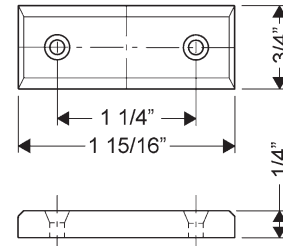
- 1 725-1 6-pin spacer
- 1 725-PA plastic thumbturn
- 3 10-350 plastic spacers
- 1 10-054 1/4" plastic bar strike
- 1 10-057 0.65" plastic bar strike
- 4 lock mounting screws

Included Accessories (1-3/8 barrel length locks):

- 1 725-1 6-pin spacer
- 1 725-PA plastic thumbturn
- 1 10-054 1/4" plastic bar strike
- 4 lock mounting screws



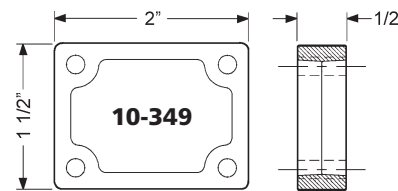
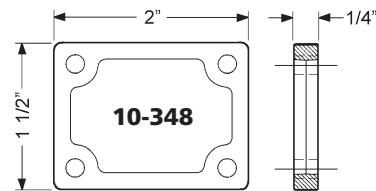
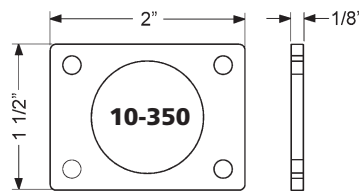
10-057 - 0.65" bar strike



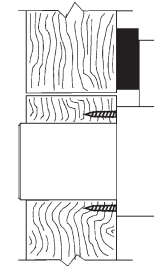
10-054 - 1/4" bar strike

Spacer options

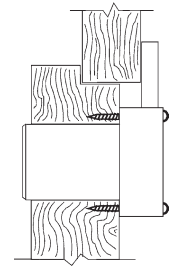
Note: use of spacers and strikes depends on application and material thickness.



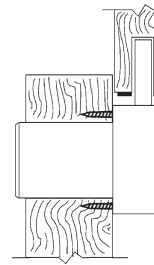
Typical Installation



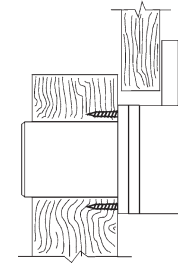
Flush



Lipped Overlay



Overlay*



Full Overlay

*Overlay installation is not recommended for particleboard.

Installation/handling for key-retaining option

