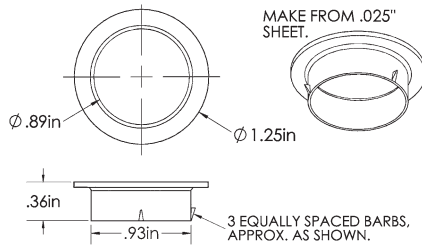


► TR1256 | TR78 Trim Rings



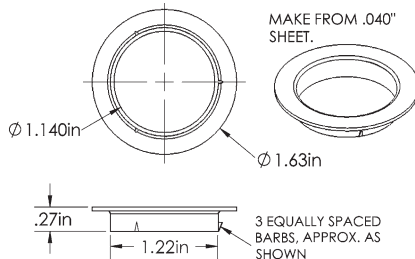
TR1256
Fits 7/8" diameter cabinet locks



Use of **TR1256** requires 15/16" diameter hole.



TR78
Fits 1-1/8" diameter cabinet locks



Use of **TR78** requires 1-3/16" diameter hole.

SPECIFICATIONS

Trim rings cover chips or gouges in the laminate or wood hole that can be seen from the outside of the cabinet. They are used primarily to enhance the appearance of the overall lock installation.

TR1256

Fits: 7/8" diameter cabinet locks

Drilled hole size: 15/16"

Material: Brass

Finish: 26D, US4, 10B or US19

Use with: 100, 200, N078, 999, 998, 500, 600, R078, 997, 996, L20V

TR78

Fits: 1-1/8" diameter cabinet locks

Drilled hole size: 1-3/16"

Material: Brass

Finish: 26D, US3, 10B or US19

Use with: 700, 800, 850, 950, 721, 725, 754, 854, 777, 888, 931, L72, L78, L92

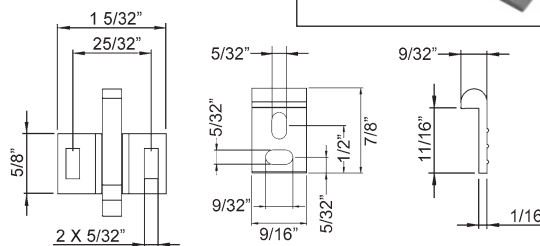
► 102 Series Oval Wire Pull



Pull can be used in door or drawer configuration.

Item No.	Finish	Description
102-015-96SC	26D	3 3/4" satin chrome pull
102-015-96	US3	3 3/4" polished brass pull
102-015-4SC	26D	4" satin chrome pull
102-015-4	US3	4" polished brass

► EC Series Elbow Catch

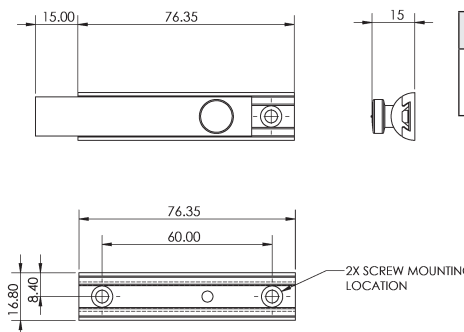


Item No.	Finish	Description
EC-1	26D	Elbow catch and strike components bulk packed separately without mounting screws
EC-2	26D	Elbow catch and strike packaged individually with mounting screws
EC-TEM		Elbow catch installation template/jig

Meets ANSI/BHMA A156.9 B33023

Woodwork Institute (WI) acknowledged product

► SB-3 Slide Bolt



Item No.	Finish	Description
SB-3	US26	3" Slide Bolt (Distributor Pack), packaged individually with 4 screws

