

► 7850 Combi-Cam 3-Dial Combi-Cam™



Chrome



Black



Includes:
Pronged wood washer, fixing nut, three cams, 90° stop cam, cam screw, and lock washer



7850R Combi-Cam 3-Dial

Item	Finish	Cyl. Length	Fits Max. Material Thickness	Function
7850R-S 7850R-S-BLACK	Chrome Black	5/8"	3/8"	3-dial combination cam lock with up to 1,000 possible combinations. Easily resettable combination. Retrofits standard 3/4" diameter cam locks.
7850R-M 7850R-M-BLACK	Chrome Black	7/8"	5/8"	
7850R-L 7850R-L-BLACK	Chrome Black	1-1/8"	7/8"	
7850R-XL	Chrome	1-3/8"	1-1/8"	
7850-DC	Dust Cover	Accessory items [sold separately]		
7850-FP	Finger Pull			

SPECIFICATIONS

Keyless/Combination: 3-dial combination cam lock provides for up to 1,000 possible combinations.

Resettable: To change the combination, simply have it on the opening combination, depress the change pin, and change to the new combination.

Cam rotation: 90° stop cam placement allows cam to rotate (swing) to the right or left as you face the lock.

Body: Zinc, steel

Cylinder length: 5/8", 7/8", 1-1/8" or 1-3/8"

Barrel diameter: 3/4"

Finish: Chrome or black

Packaged: 20 per box / 100 per case

INCLUDED ACCESSORIES

Pronged wood washer, fixing nut, 90° stop cam, cam screw and lock washer, and three cams (3/4" straight cam, 1-1/2" straight cam, 1-1/2" x 1/4" reversible offset cam).

OPTIONAL ACCESSORIES

Dust cover: #7850-DC - Conceal and protect dials from water, dust, etc.

Finger pull: #7850-FP - For use as cabinet handle. Mounts between Combi-Cam and cabinet surface.

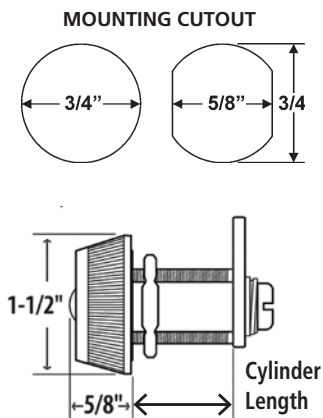
Cams: Offset cams (See below)



Dust Cover
#7850-DC

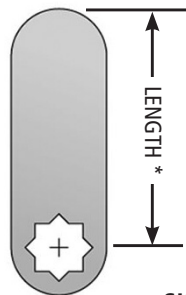


Finger Pull
#7850-FP



7850 SERIES — OPTIONAL OFFSET CAMS

Width: 3/4"
Thickness: 1/8"



Mounting Hole



SKU: 7850-OC-1-1/2 7850-OC-60-MM

* LENGTH = The distance from the center of the mounting hole to the top of the cam.

SKU	Length *	Offset
7850-OC-1-1/2	1-1/2"	1/2"
7850-OC-60MM	2-1/3"	1/4"



The following warning is applicable to all parts listed on this page:
WARNING: This product can expose you to chemicals including chromium, which is known to the State of California to cause cancer and birth defects or other reproductive harm. For more information go to www.P65Warnings.ca.gov.

