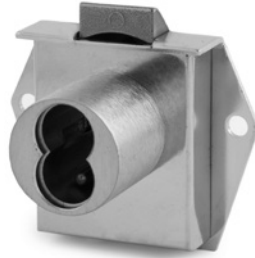


## ► 725ML Mortise Latch



For BEST style interchangeable core cylinders

### Mortise Mounted



**725ML**  
725ML-DW-VH



725ML-DR-LH



725ML-DW-IH



725ML-DR-RH

### SPECIFICATIONS

**Retrofits:** Best 5L7ML  
**Mounting:** Mortise  
**ANSI/BHMA:** Passed ANSI/BHMA A156.11 Grade 1 performance requirements  
**Material:** Zinc die cast cylinder housing, steel back plate and steel case  
**Cylinder length:** 1-1/16" or 1-3/8"  
**Barrel diameter:** 1-1/8"  
**Reverse latch:** Available for DW-VH or DW-IH functions (use reverse latch for in-swinging door applications)  
**Finish:** US26, 26D, US3, US4 or 10B (1-3/8" barrel length locks available in 26D finish only)  
**Packaged:** Packed 10 per box

### KEYING INFORMATION

**Cores:** Not included.  
**Accepts:** Best, Arrow, Falcon, KSP, Schlage SFIC or equivalent small format interchangeable cores  
**Compatible electronic cylinders:** Medeco Nexgen XT or VIDEX CyberLock SFIC cylinders

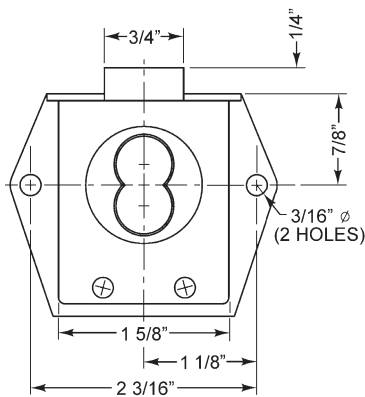
### INCLUDED ACCESSORIES

725-1 spacer to fit 6 or 7 pin cores  
 725-SP-ML slotted lipped strike  
 725-PA plastic thumbturn

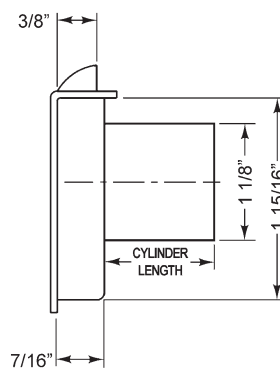
### OPTIONAL ACCESSORIES

See the accessories section of this catalog for a complete list.  
**Spacers:** WP725 (1/8" thick), WP726 (1/4" thick)  
**Strikes:** 725-SP Series  
**SFIC cores:** 206/207 Series (page 60)

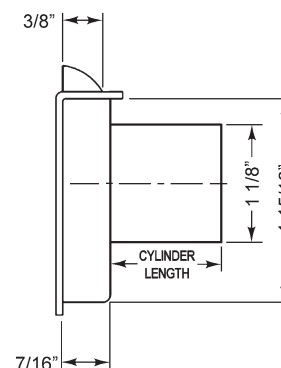
Item	Function	Finish	Cyl. Length	Description	
725ML-DR-RH	RH Door	26D, US26, US3, US4, 10B	1-1/16"	Lock body - For small format IC	
725ML3DR-RH	RH Door	26D	1-3/8"		
725ML-DR-LH	LH Door	26D, US26, US3, US4, 10B	1-1/16"		
725ML3DR-LH	LH Door	26D	1-3/8"		
725ML-DW-VH	VH Drawer	26D, US26, US3, US4, 10B	1-1/16"		
725ML3DW-VH	VH Drawer	26D	1-3/8"		
725ML-DW-IH	IH Drawer	26D, US26, US3, US4, 10B	1-1/16"		
725ML3DW-IH	IH Drawer	26D	1-3/8"		
<b>Below locks are with Reverse Latch for "in-swinging" doors</b>					
725ML-DWRVH	VH Drawer	26D, US26, US3, US4, 10B	1-1/16"		Lock body - For small format IC
725ML3DWRVH	VH Drawer	26D	1-3/8"		
725ML-DWRIH	IH Drawer	26D, US26, US3, US4, 10B	1-1/16"		
725ML3DWRIH	IH Drawer	26D	1-3/8"		



**725ML**  
Dimensions are the same for all handings.



**725ML**  
Mortise Latch  
Standard configuration



**725ML-DWR**  
Mortise Latch with "Reverse Latch" option for "in-swinging" doors



**OLYMPUS**  
**LOCK**

Tel: 206.362.3290 | 800.525.0954  
 Fax 206.362.3569 | www.olympuslock.com



The following warning is applicable to all parts listed on this page:  
**WARNING:** This product can expose you to chemicals including chromium, which is known to the State of California to cause cancer and birth defects or other reproductive harm. for more information go to www.P65Warnings.ca.gov.