

Combi-Cam™

► 7440 Combi-Cam Ultra™ (Dual Access)



- Easy to use
- Durable, all-metal construction
- Secure with up to 1,000 possible combinations
- Pick resistant dials
- Easily set your own combination any time
- Key override with code discovery
- Replaces any 3/4" diameter keyed cam lock

SPECIFICATIONS

Keyless/Combination: 3-dial combination cam/locker lock with key override and code retrieval capability offering convenient keyless access.

Resettable: Set the combination in three easy steps. Up to 1,000 possible combinations.

Installation: Can be installed vertically (door) or horizontally (drawer).

Barrel diameter: 3/4"

Cylinder lengths: 5/8", 7/8" or 1-1/8"

Body: Heavy duty die cast metal construction

Cam: Includes dual hole, 1-1/2" long straight cam for use in door or drawer applications.

Cam rotation: 90° stop cam placement allows cam to rotate 90° to the left or right.

Finish: Chrome (7440L also available in Black)

Packaged: 20 per box / 100 per case

KEYING INFORMATION

Keyway: High security, tubular keyway. The Override Key allows for override or retrieval of the current combination. One key controls all locks in the same key code group.

Keys: Override keys are NOT included with locks. Order separately as required.

Override keying: Keyed alike

INCLUDED ACCESSORIES

Pronged wood washer, fixing nut, 90° stop cam, cam screw and lock washer, and 1-1/2" dual hole, straight cam.

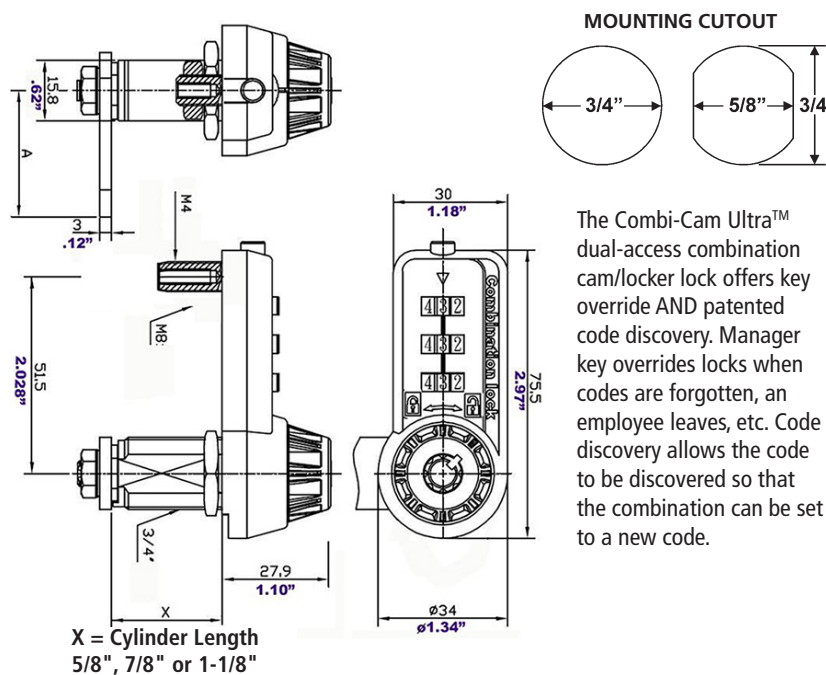
OPTIONAL ACCESSORIES

7440-KEYS: Override keys (set of 2). Specify key code when ordering.

100 Series cams: Straight and offset dual-hole cams (See cam diagrams on reverse side)

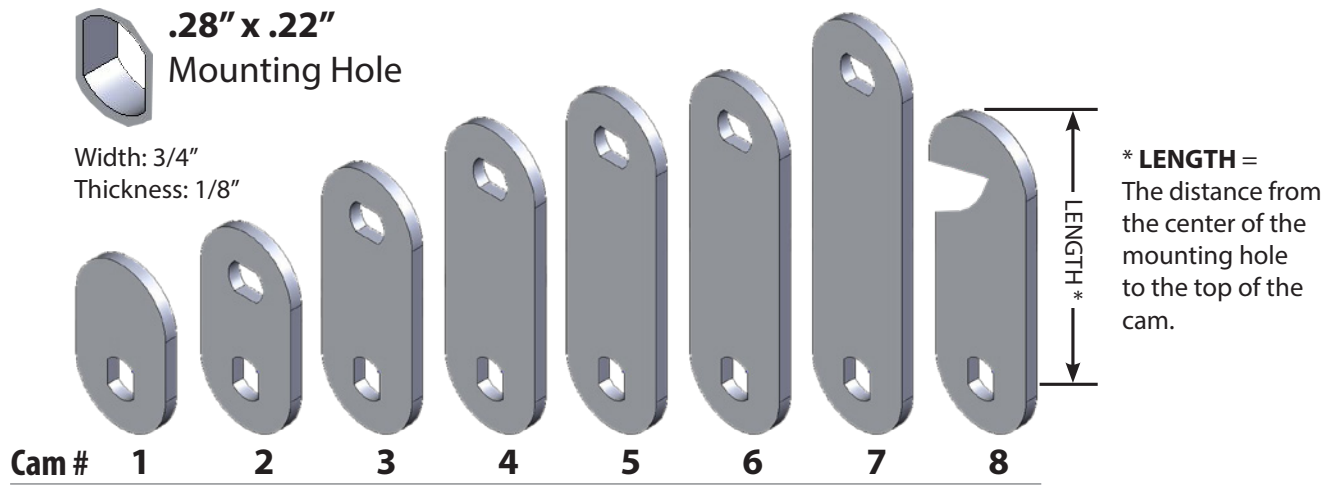
See reverse side for optional cams →

Item	Finish	Cyl. Length	Fits Max. Material Thickness	Override Key Code	Function
7440S-KA374	Chrome	5/8"	3/8"	#374	3-dial combination cam/locker lock with key override and code retrieval. Up to 1,000 possible combinations.
7440M-KA374	Chrome	7/8"	5/8"	#374	
7440L-KA374	Chrome	1-1/8"	7/8"	#374	
7440L-BLK-KA168	Black	1-1/8"	7/8"	#168	
Override Keys are not included with locks — order separately as required (sold as a set of 2)					
7440-KEYS-374	Override keys (set of 2) code #374				
7440-KEYS-168	Override keys (set of 2) code #168				



The Combi-Cam Ultra™ dual-access combination cam/locker lock offers key override AND patented code discovery. Manager key overrides locks when codes are forgotten, an employee leaves, etc. Code discovery allows the code to be discovered so that the combination can be set to a new code.

100 SERIES — STRAIGHT CAMS

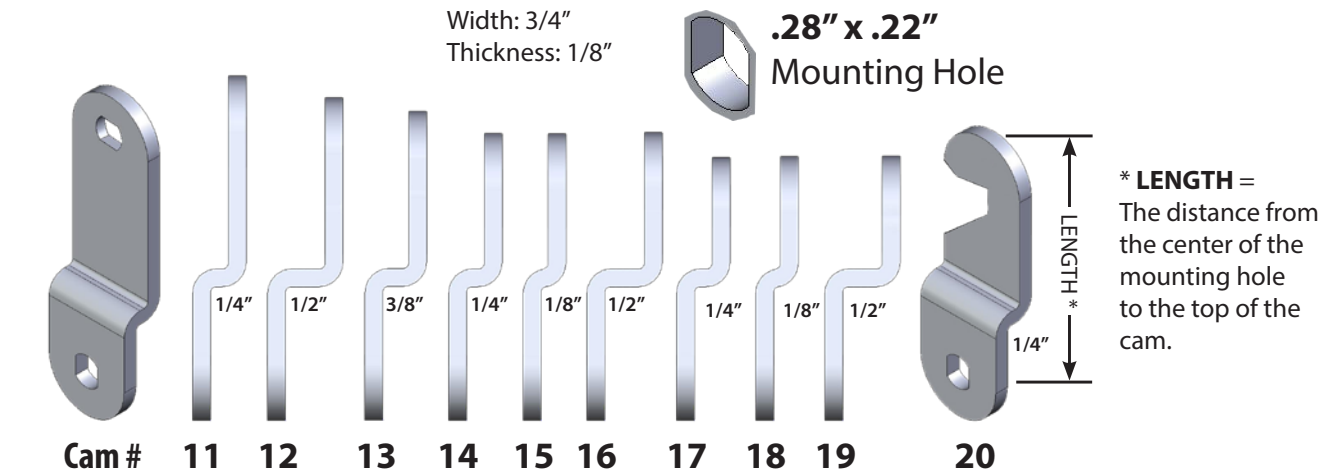


Cam #	SKU	Length *
1	130049	5/8"
2	130050D	3/4"
3	130031D	1-1/8"
4	130147D	1-1/4"

Cam #	SKU	Length *
5	130023D	1-1/2"
6	130058	1-5/8"
7	130056D**	2"
8	PL32001	1-1/4"

** 130056D is available via special order. Requires minimum purchase of 20 pcs.

100 SERIES — OFFSET CAMS



Cam #	SKU	Length *	Offset
11	30597D	2-1/4"	1/4"
12	30596D	2"	1/2"
13	30002D	1-5/8"	3/8"
14	30026D	1-1/2"	1/4"
15	30025D**	1-1/2"	1/8"

Cam #	SKU	Length *	Offset
16	30027D**	1-1/2"	1/2"
17	30594D	1-1/4"	1/4"
18	30593D**	1-1/4"	1/8"
19	30595D	1-1/4"	1/2"
20	PL39001	1-1/2"	1/4"

** 30025D, 30027D, 30593D are available via special order. Requires minimum purchase of 20 pcs per item.