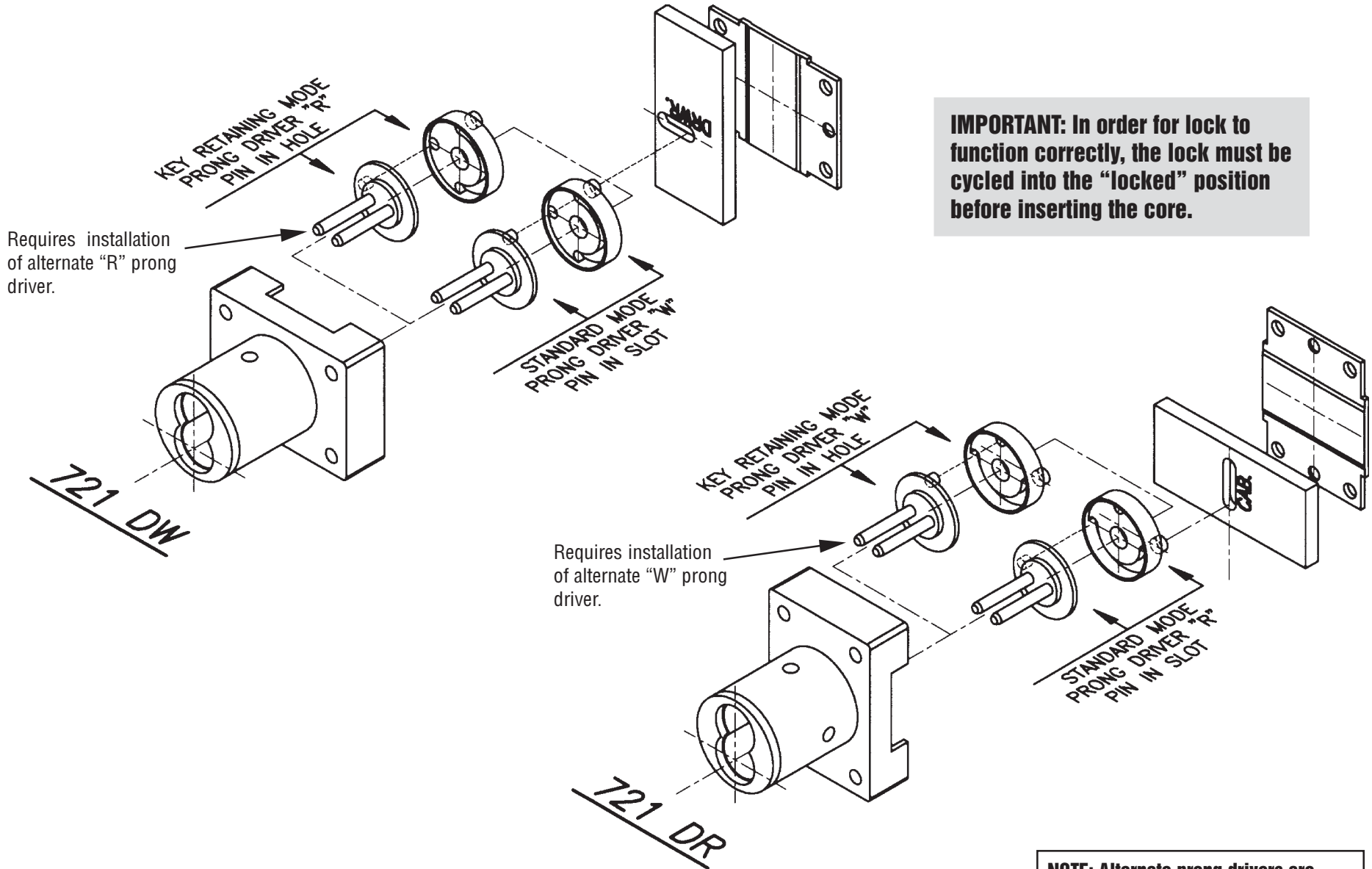


Converting the 721 to Key-Retaining Function



IMPORTANT: In order for lock to function correctly, the lock must be cycled into the "locked" position before inserting the core.

NOTE: Alternate prong drivers are included in the standard 721 package. No additional parts are required.



18424 Highway 99 · Lynnwood, WA 98037
800-525-0954 · 206-362-3290 · Fax 206-362-3569
info@olympus-lock.com · www.olympus-lock.com